

## 6. Case 05: Automatic Dryer

### 6.1. Introduction

Put your hands under the air outlet of the automatic hand dryer, it will automatically send out the wind to dehumidify and dry your hands, and then automatically stop the wind and shut down. It can meet the requirements of not using towels to dry hands and preventing cross-infection of diseases. Thus, we can use micro:bit to make an automatic dryer.



### 6.2. Quick Start

#### Materials Required

Nezha expansion board × 1

micro:bit × 1

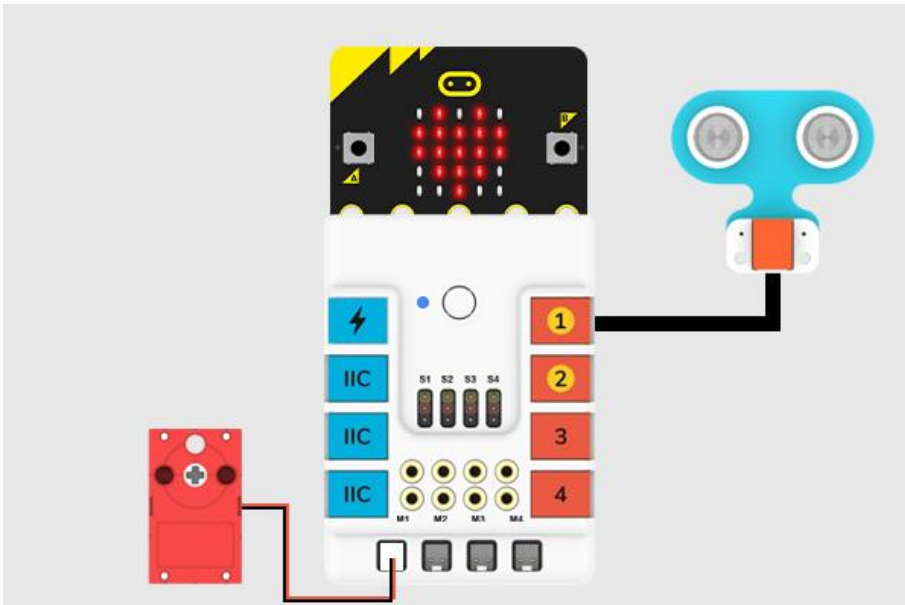
Sonar:bit × 1

Motor × 1

RJ11 wires × 1

#### Connection Diagram

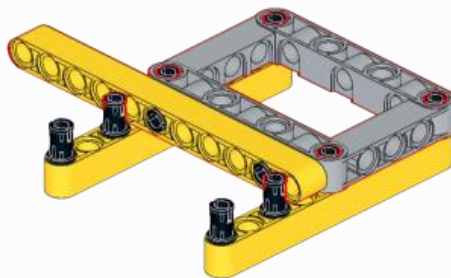
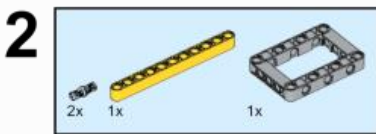
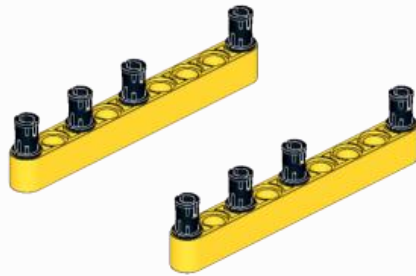
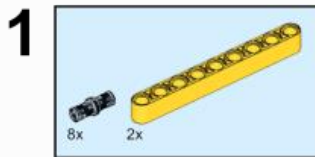
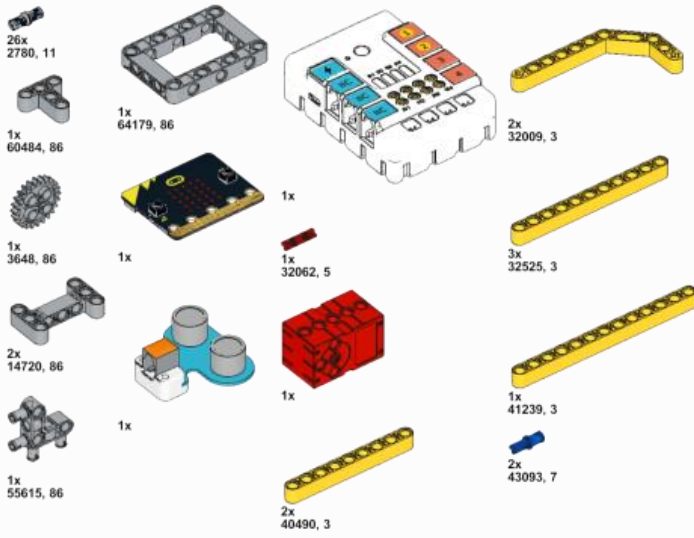
Connect the sonar:bit to J1 and the motor to M1 on the Nezha expansion board as the picture shows.



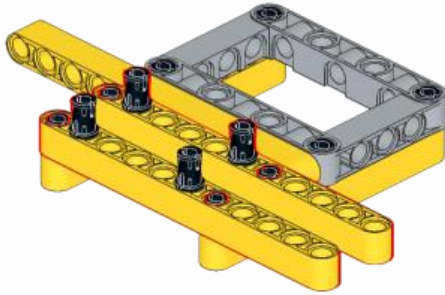
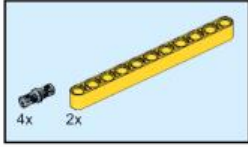
#### Assembly Video

Video reference: <https://youtu.be/5kB0bYEsJ1c>

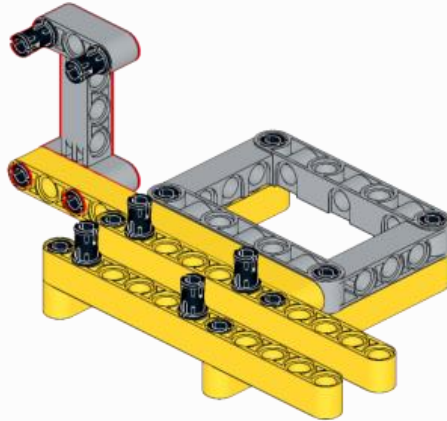
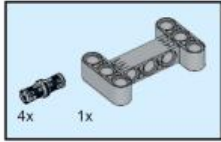
#### Assembly Steps



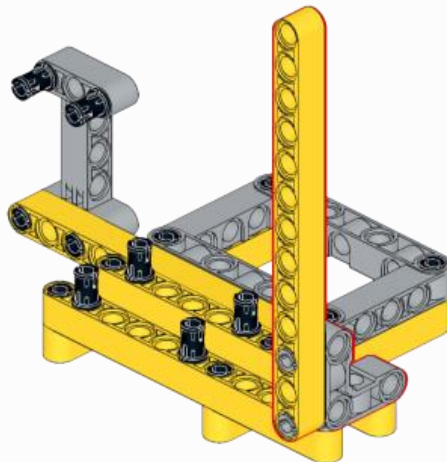
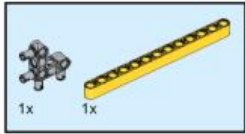
3



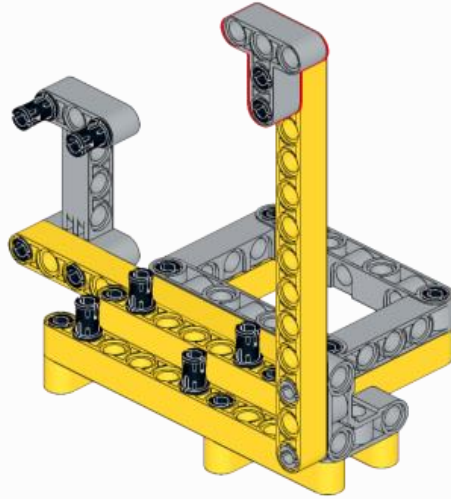
4



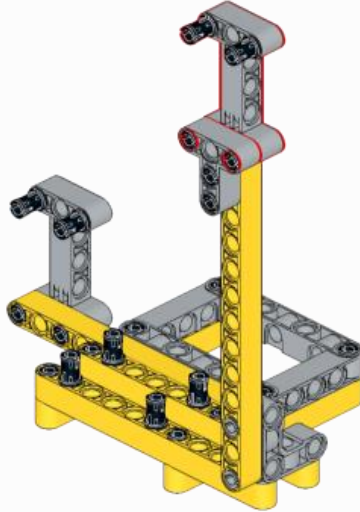
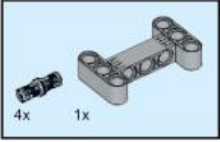
5



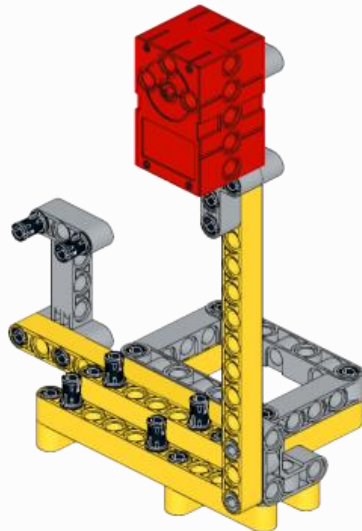
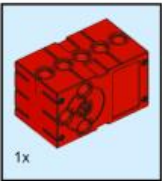
6



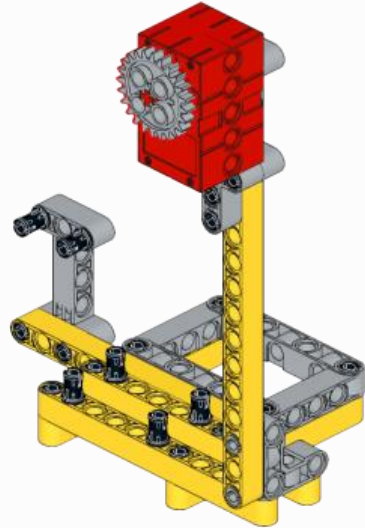
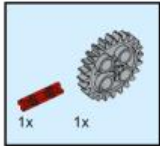
7



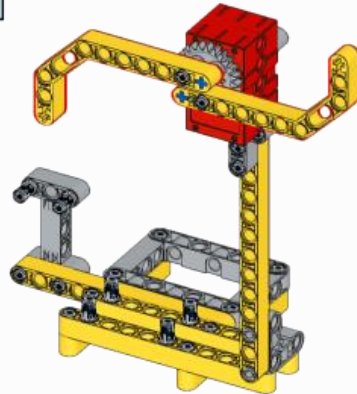
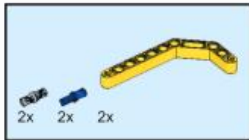
8



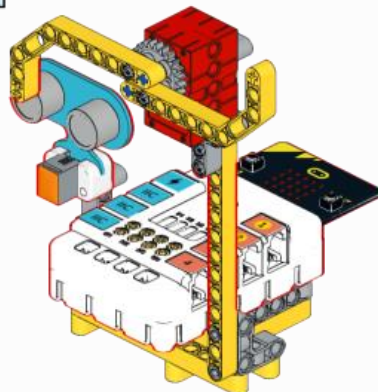
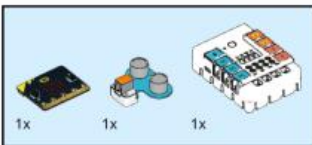
9



10

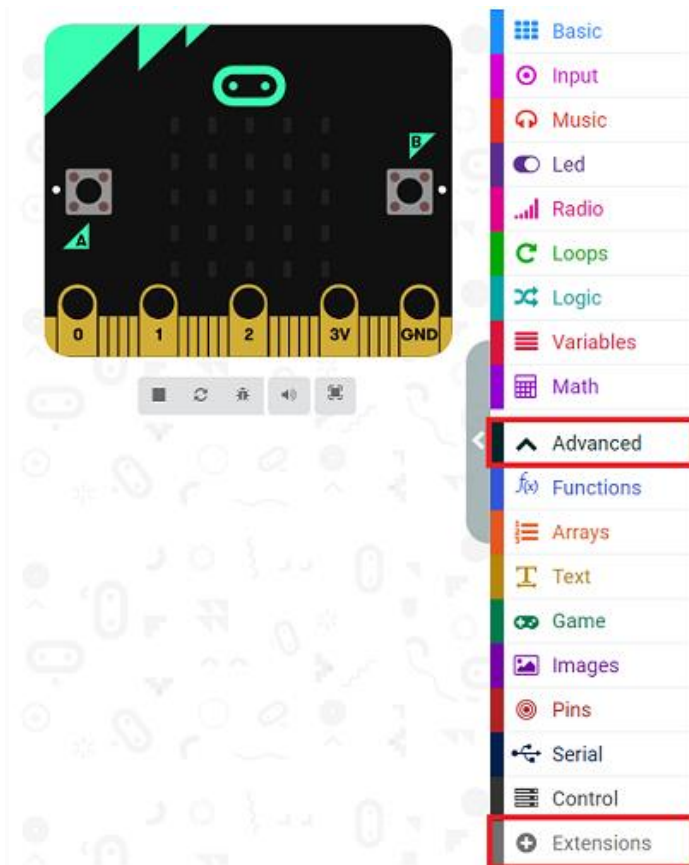


11

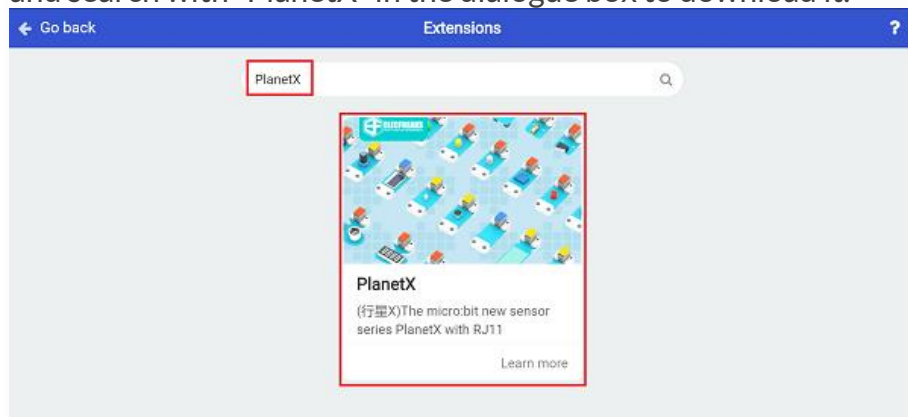


### 6.3. MakeCode Programming Step 1

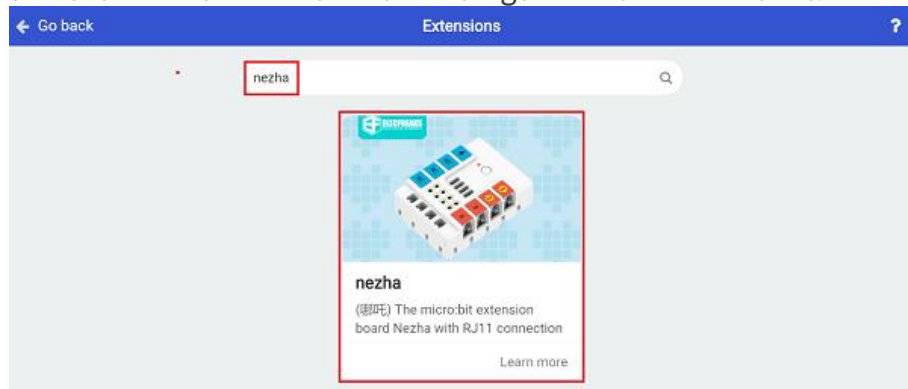
Click "Advanced" in the MakeCode to see more choices.



For programming, we need to add a package: click “Extensions” at the bottom of the MakeCode drawer and search with “PlanetX” in the dialogue box to download it.



For programming, we need to add a package: click “Extensions” at the bottom of the MakeCode drawer and search with “nezha” in the dialogue box to download it.



Notice: If you met a tip indicating that some codebases would be deleted due to incompatibility, you may continue as the tips say or create a new project in the menu.

## Step 2

Code as below:

```
on start
  show icon [grid icon]

forever
  set i to Ultrasonic sensor J1 distance cm
  if i > 4 and i ≤ 20 then
    Set motor M1 speed to 100 %
    pause (ms) 5000
  else
    Stop motor M1
```

```
indftáskor
  ikon megjelenítése

állandóan
  i legyen Ultrasonic sensor J1 distance cm
  ha i > 4 és i ≤ 20 akkor
    Set motor M1 speed to 100 %
    5000 ms szünet
  különben
    Stop motor M1
```

## Reference

Link : <https://makecode.microbit.org/LTA1RLL1ddfM>

You may also download it directly below:

---

## Result

While there is any object detected by the Sonar:bit, the fan moves automatically.

